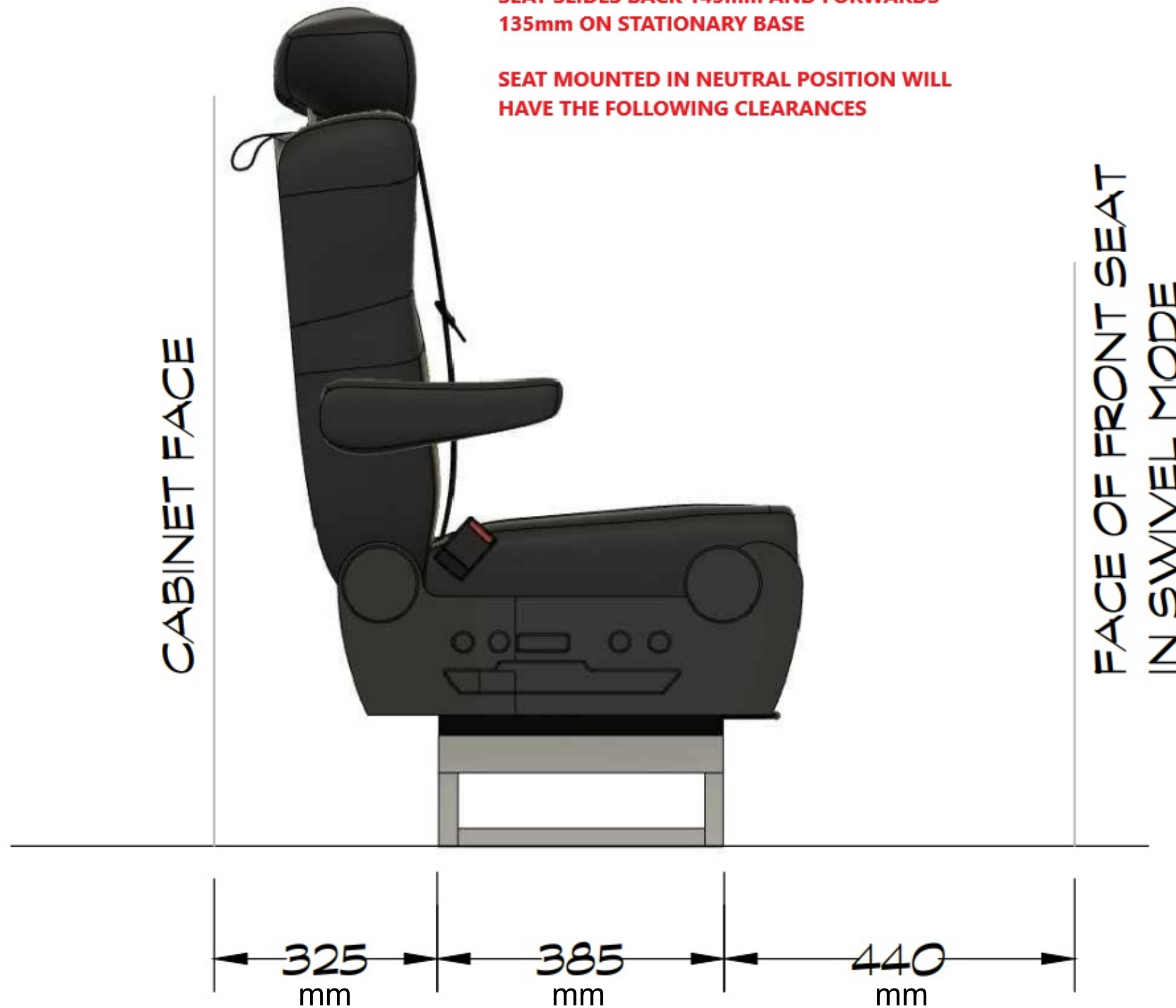


BIFOLD SEAT - SEAT BASE CLEARANCES (NEUTRAL POSITION)

**NOTE: FROM NEUTRAL MOUNTED POSITION,
SEAT SLIDES BACK 145mm AND FORWARDS
135mm ON STATIONARY BASE**

**SEAT MOUNTED IN NEUTRAL POSITION WILL
HAVE THE FOLLOWING CLEARANCES**



TRIFOLD SEAT - SEAT BASE CLEARANCES (NEUTRAL POSITION)

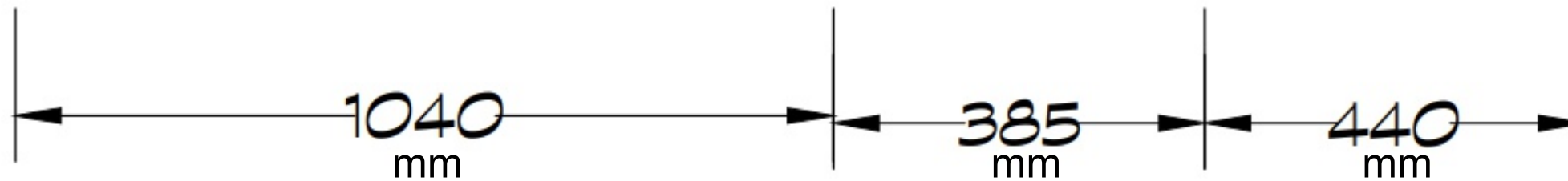
NOTE: FROM NEUTRAL MOUNTED POSITION, SEAT SLIDES BACK 145mm AND FORWARDS 135mm ON STATIONARY BASE

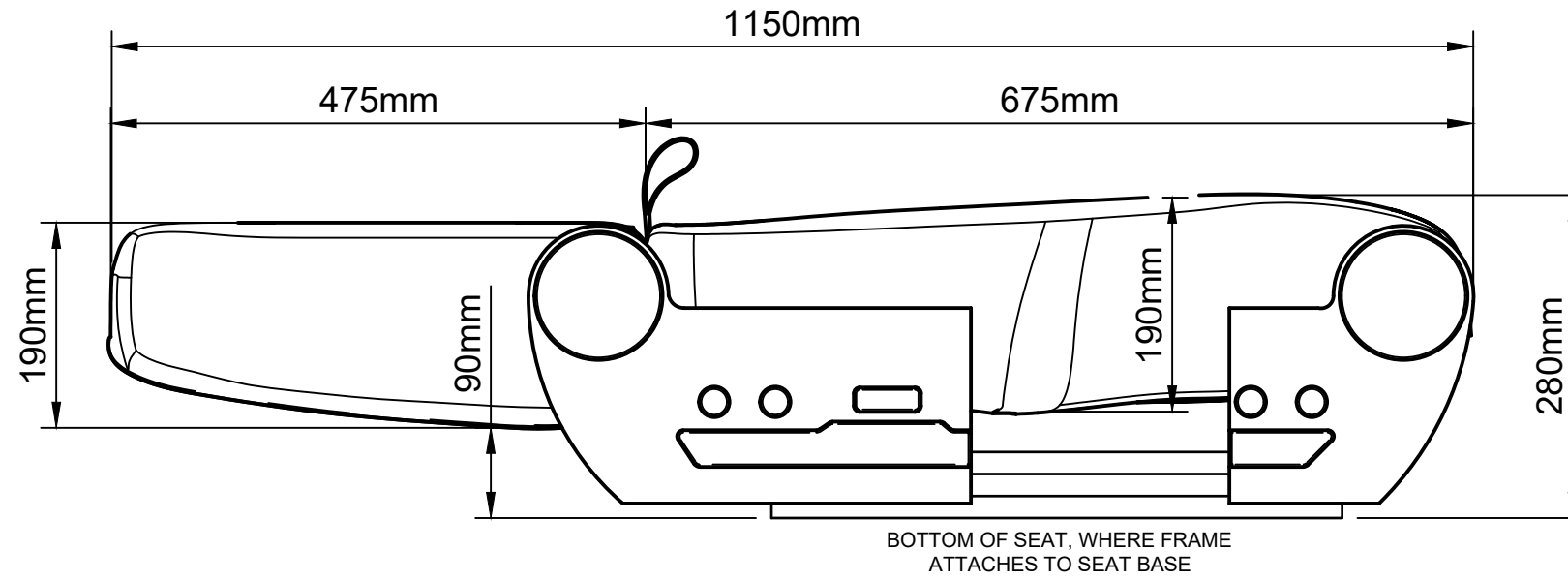
SEAT MOUNTED IN NEUTRAL POSITION WILL HAVE THE FOLLOWING CLEARANCES

CABINET FACE

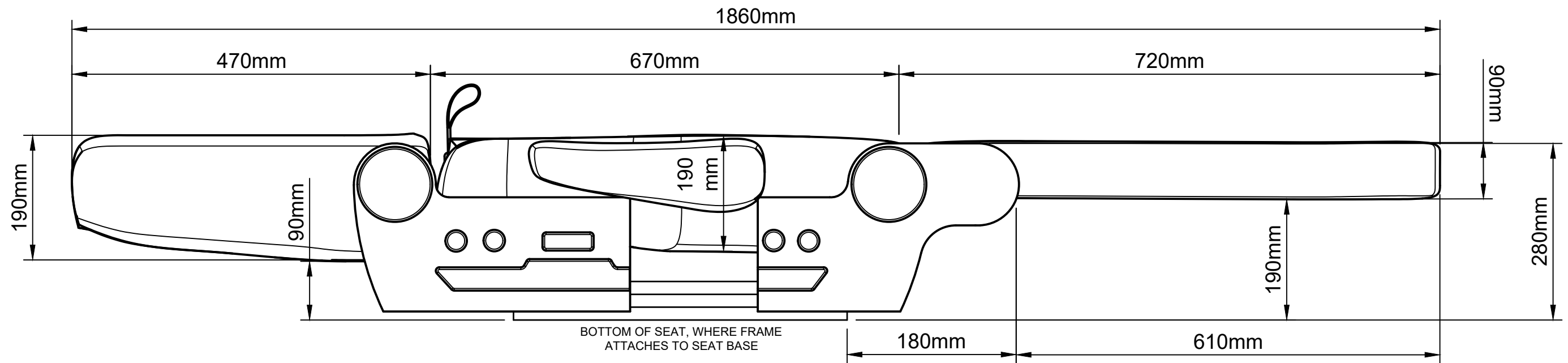


FACE OF
CABINTRY OR
FRONT SEAT

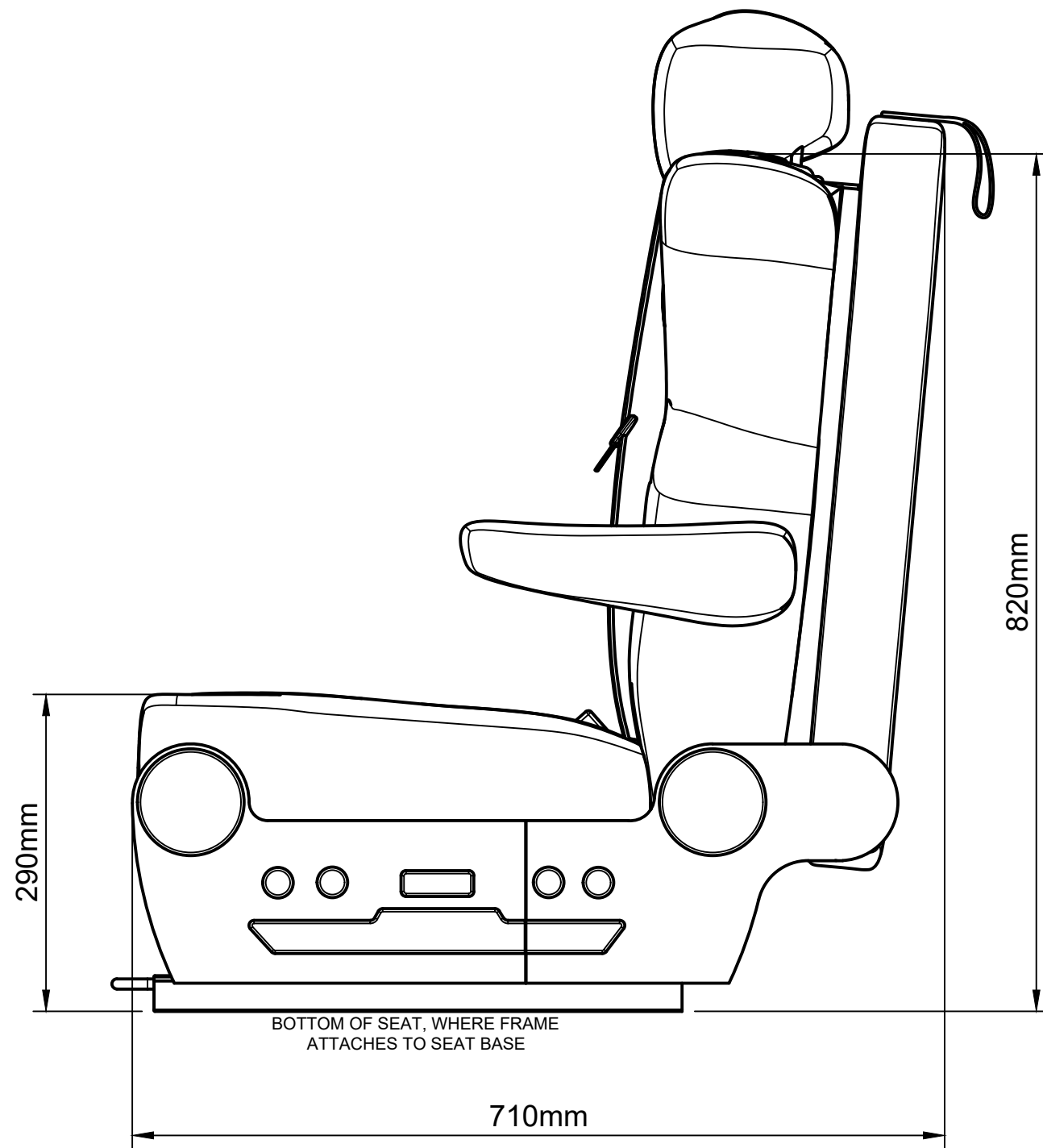




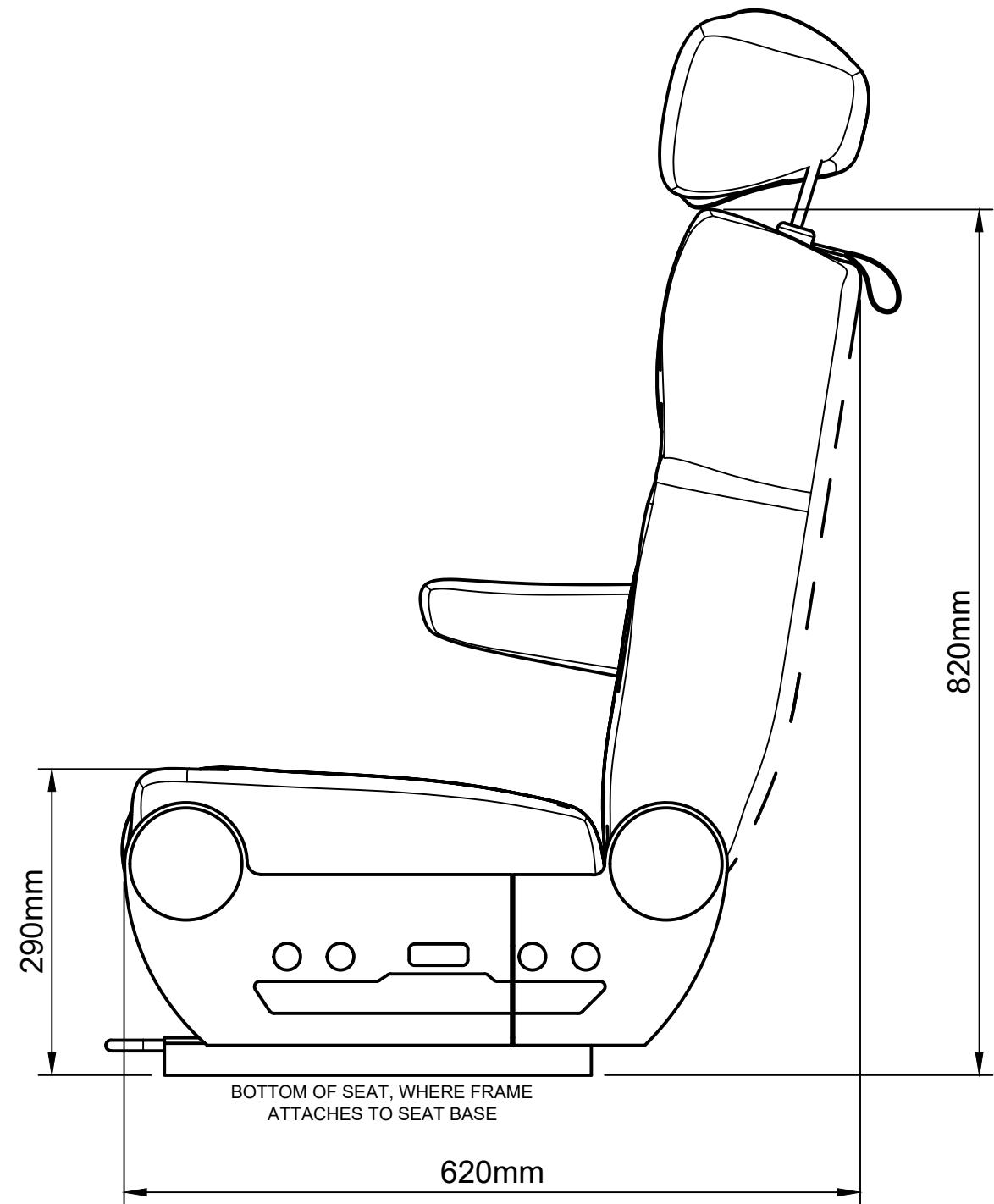
BIFOLD - NIGHT MODE - OVERALL DIMENSIONS



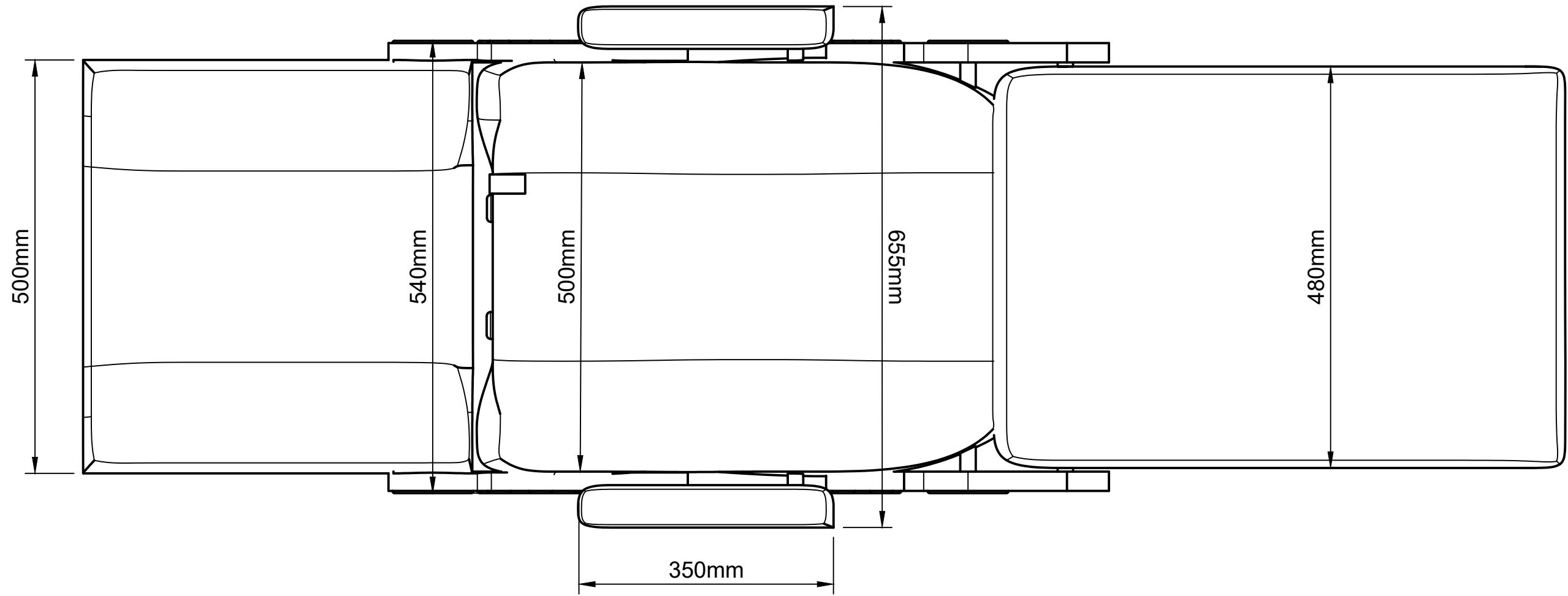
TRIFOLD - NIGHT MODE - OVERALL DIMENSIONS



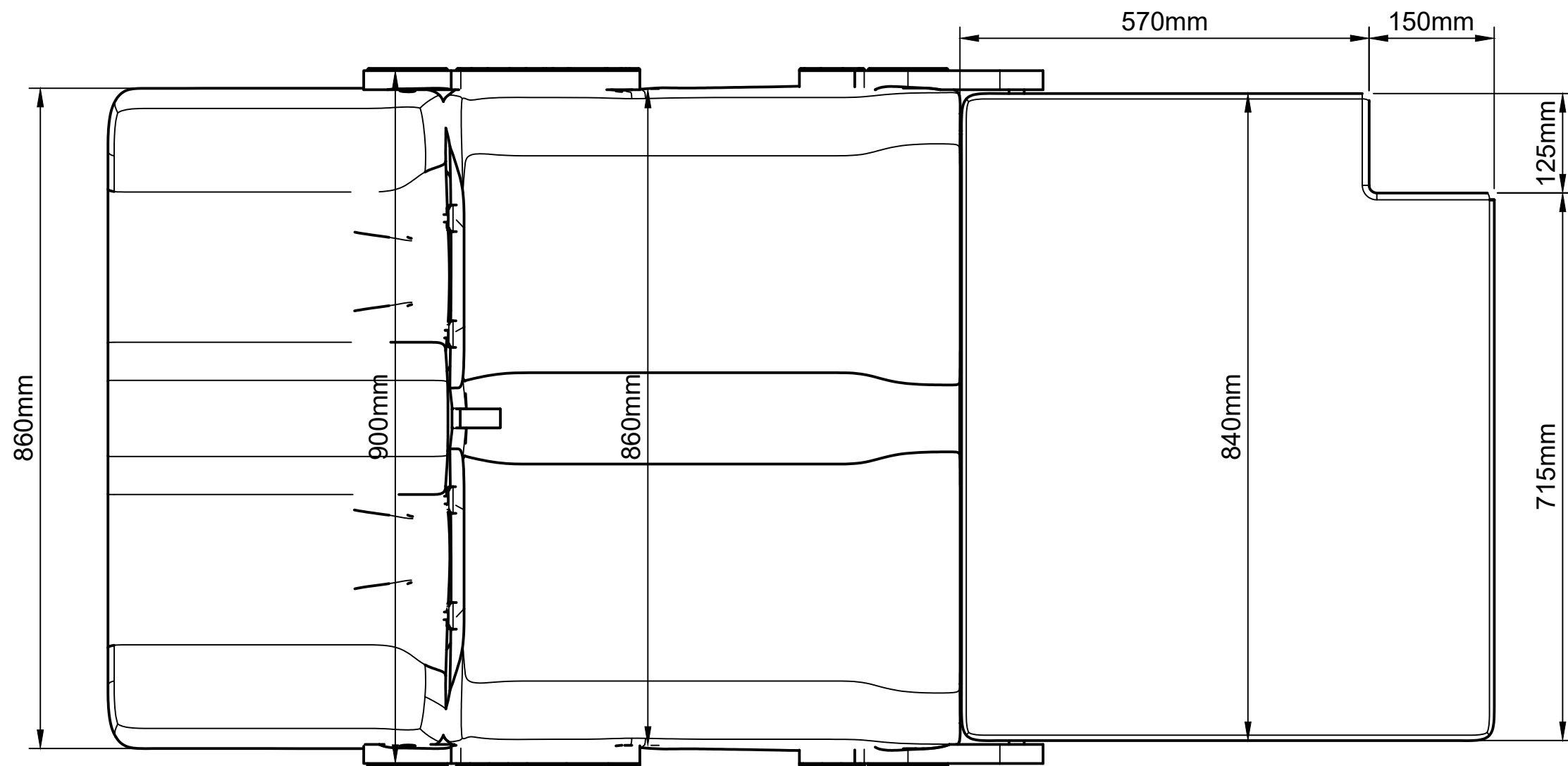
**TRIFOLD - DAY MODE -
OVERALL DIMENSIONS**



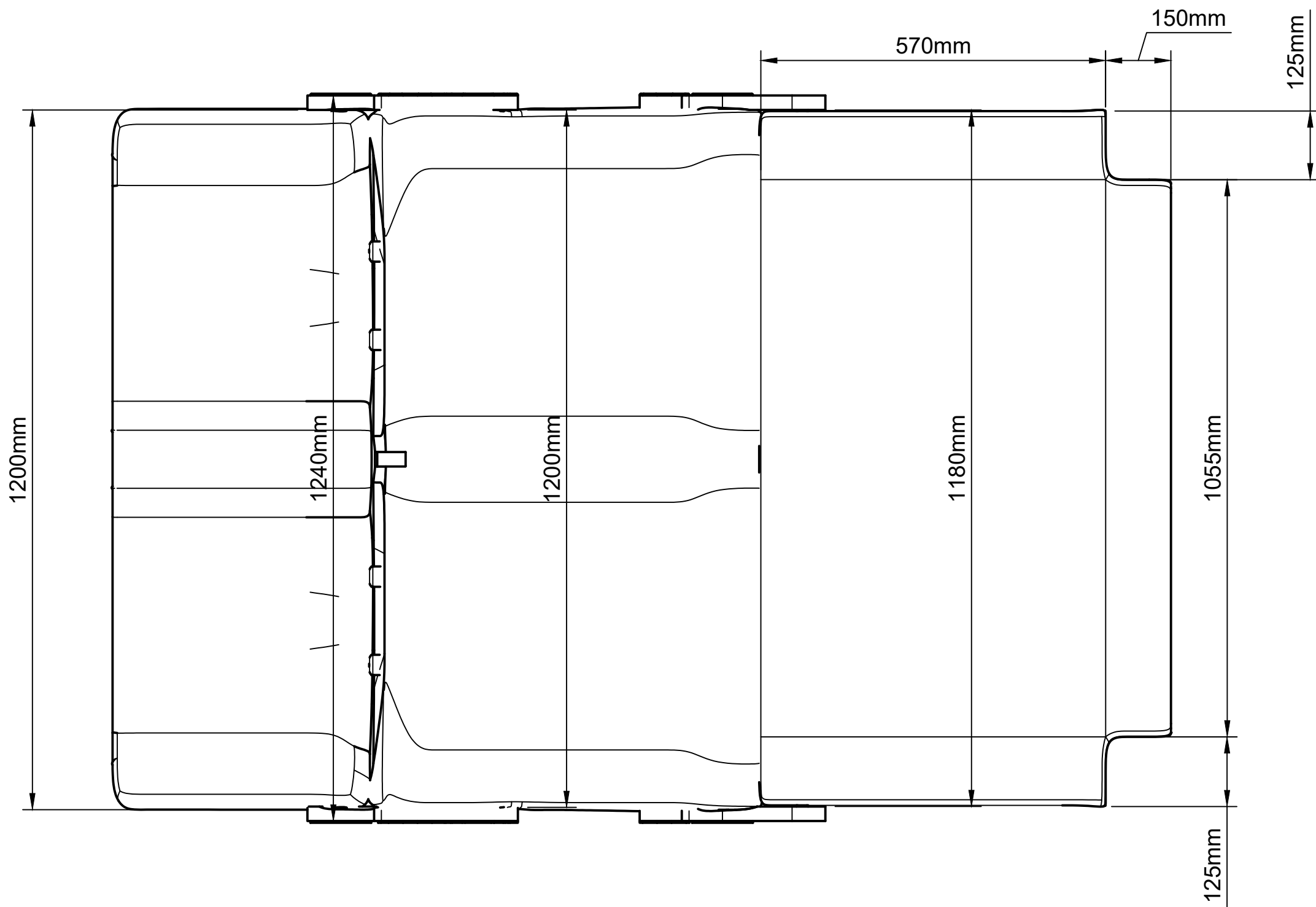
**BIFOLD - DAY MODE -
OVERALL DIMENSIONS**



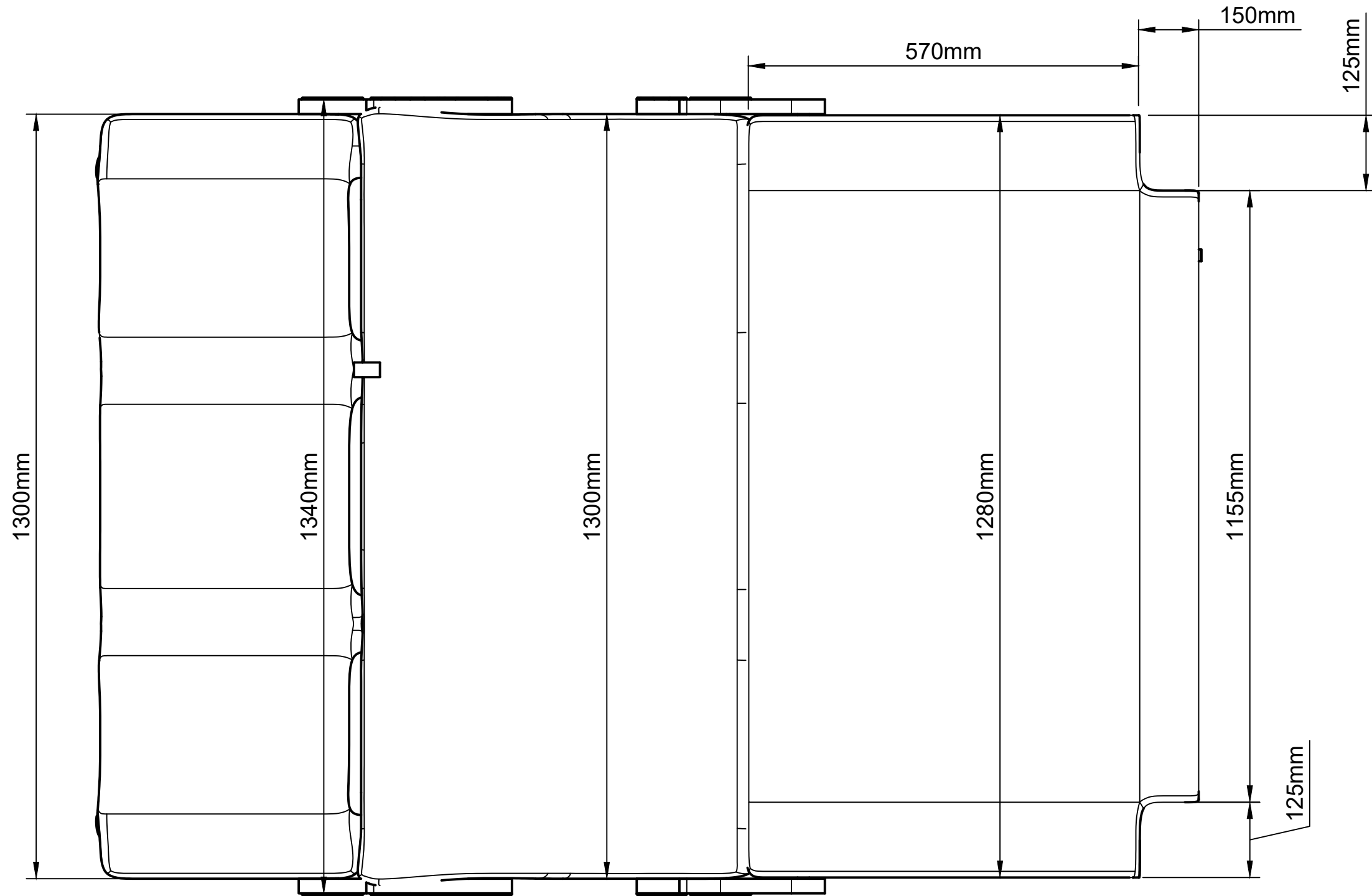
500 TRIFOLD - NIGHT MODE - OVERALL DIMENSIONS



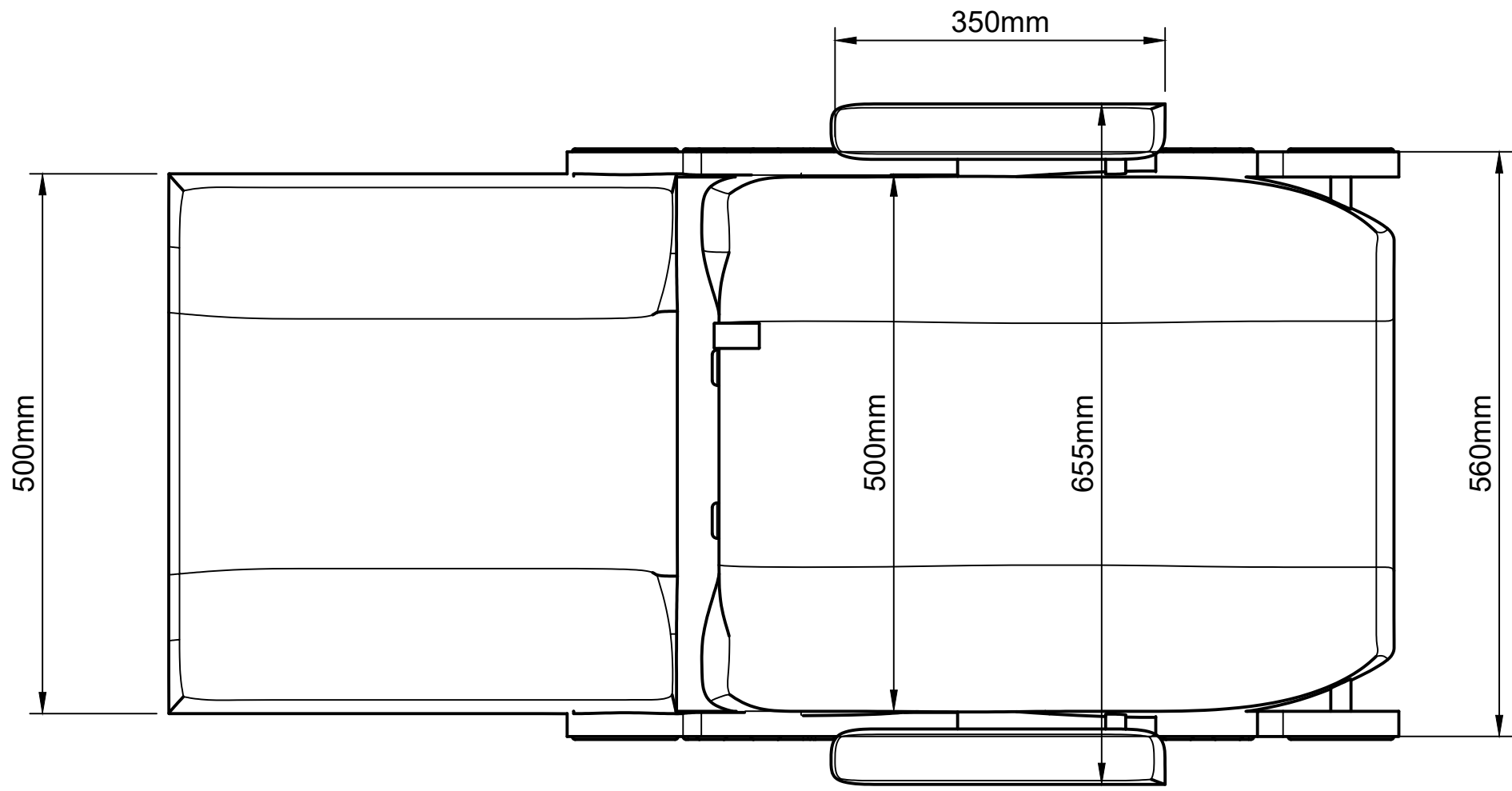
860 TRIFOLD - NIGHT MODE - OVERALL DIMENSIONS



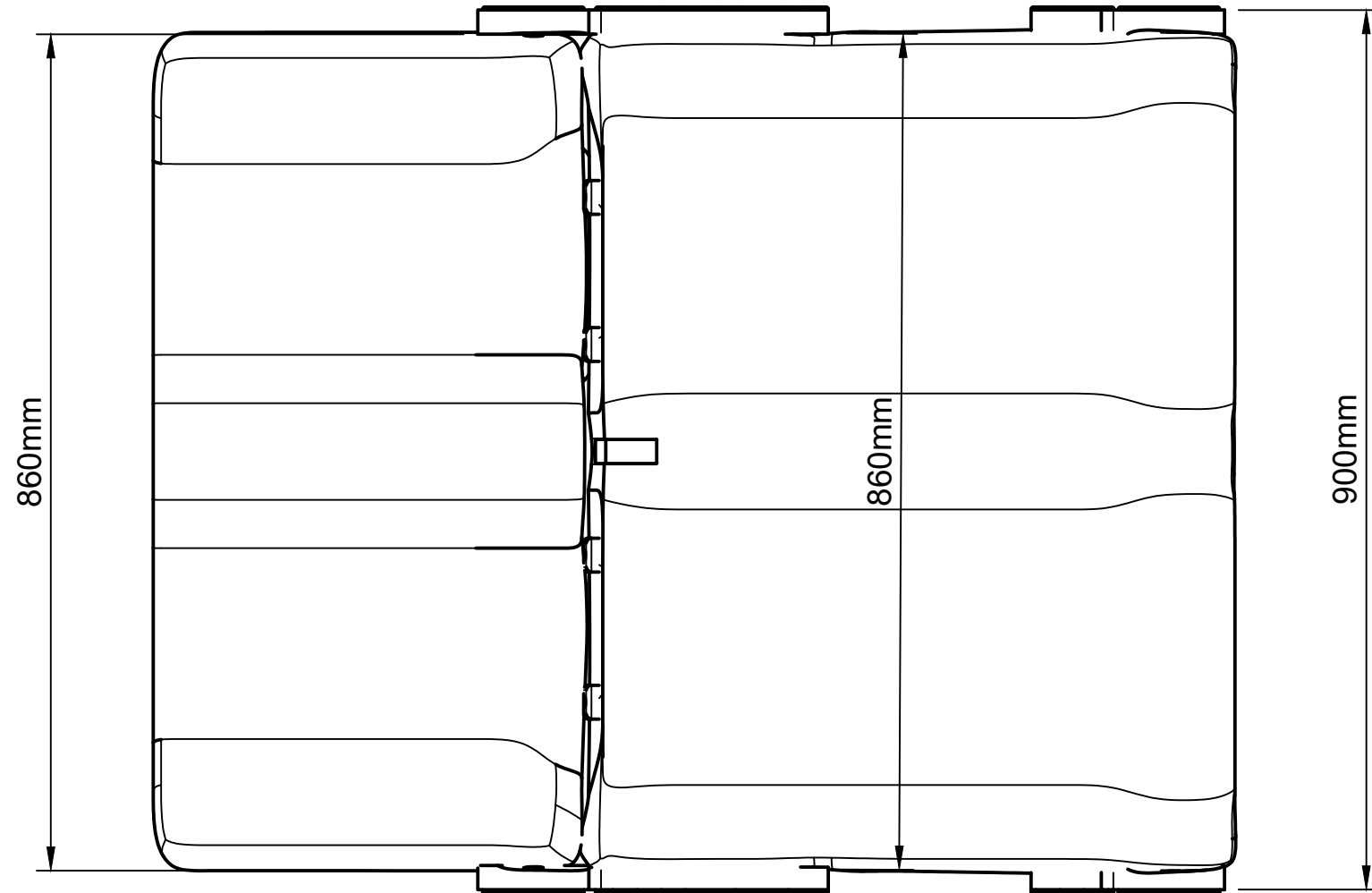
1200 TRIFOLD - NIGHT MODE - OVERALL DIMENSIONS



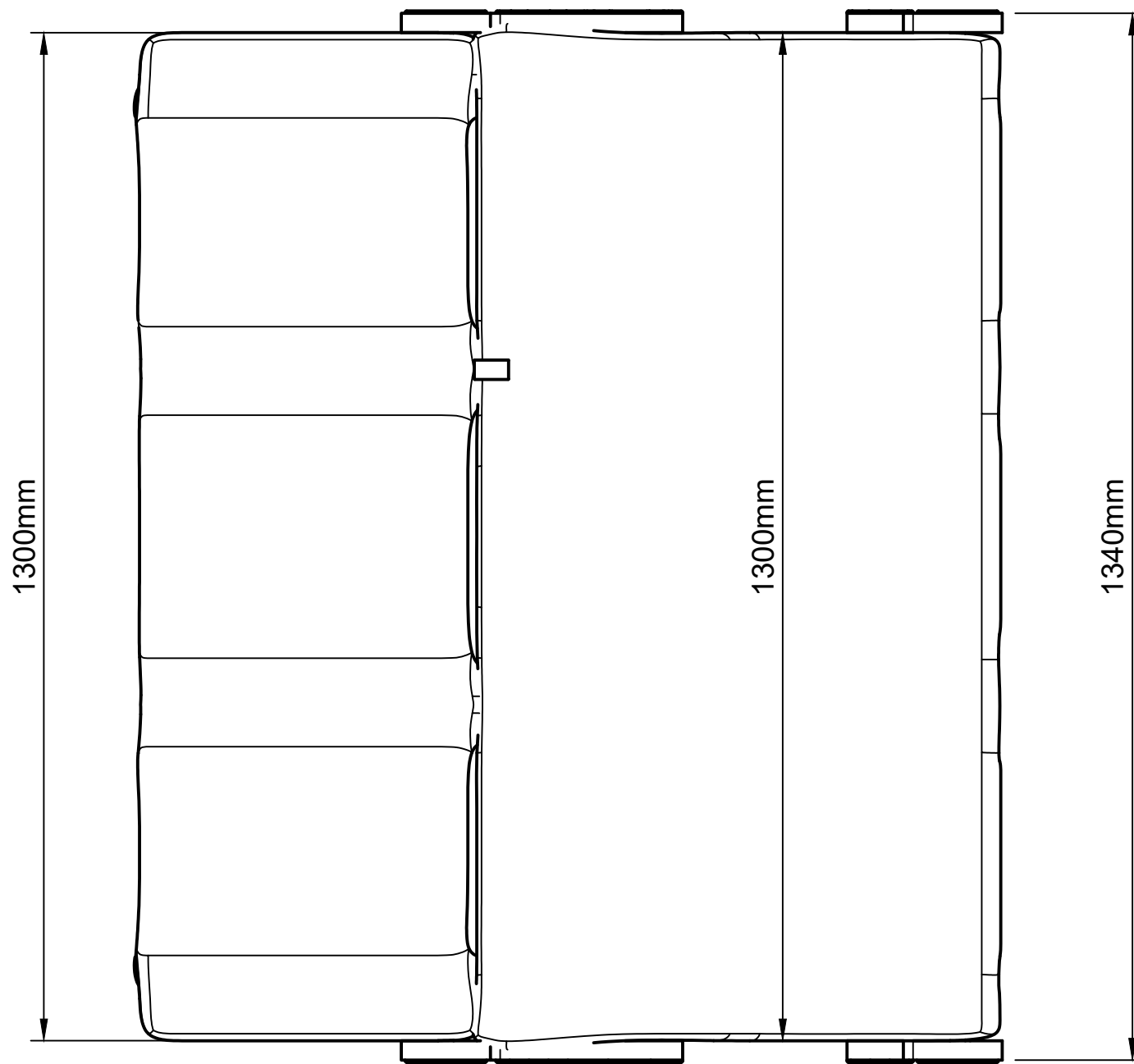
1300 TRIFOLD - NIGHT MODE - OVERALL DIMENSIONS



500 BIFOLD - NIGHT MODE - OVERALL DIMENSIONS



860 BIFOLD - NIGHT MODE - OVERALL DIMENSIONS



1300 BIFOLD - NIGHT MODE - OVERALL DIMENSIONS