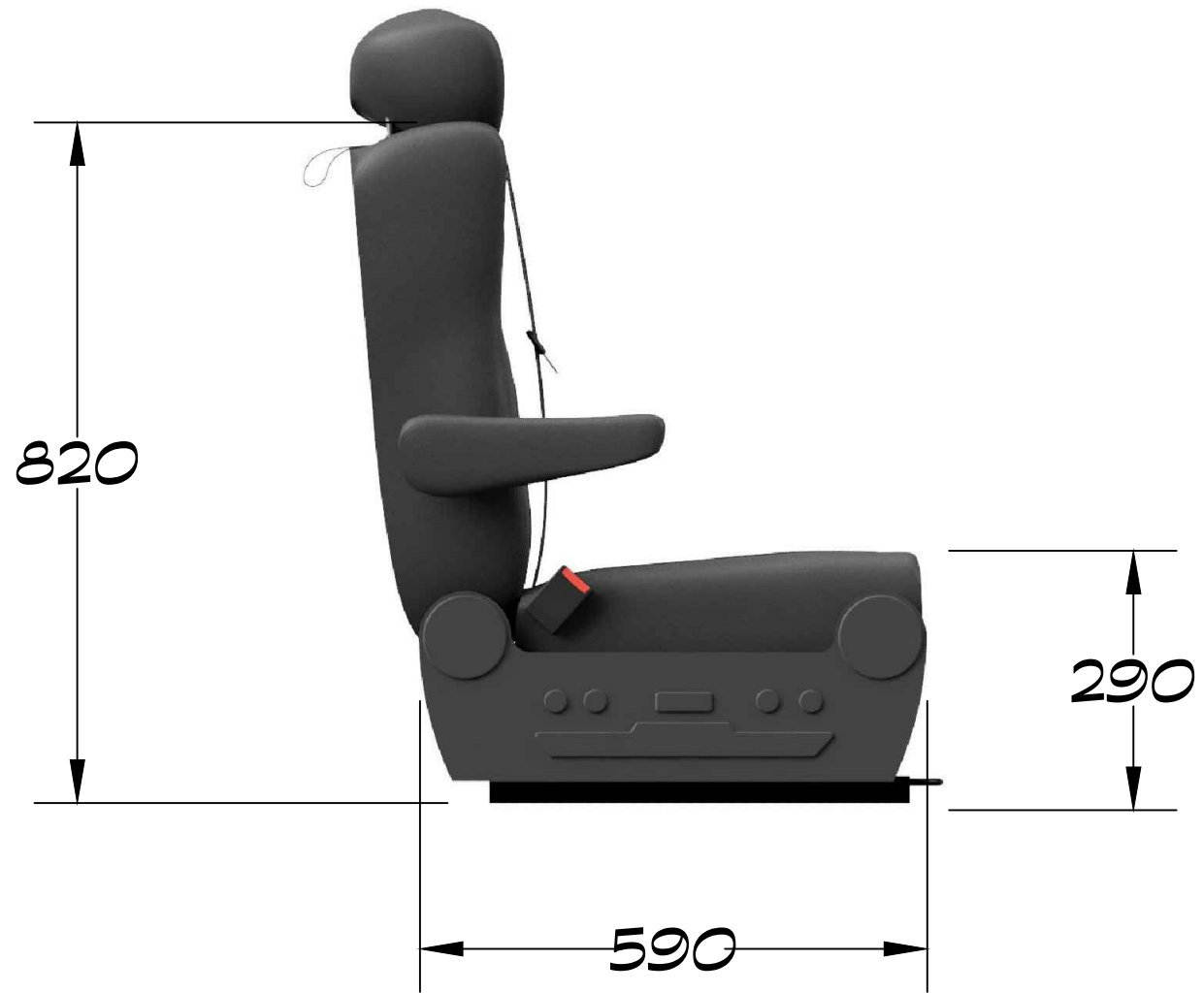


BIFOLD SEAT - NIGHT MODE



BIFOLD SEAT - SEAT MODE

BIFOLD SEAT - SEAT BASE CLEARANCES (NEUTRAL POSITION)

NOTE: FROM NEUTRAL MOUNTED POSITION, SEAT SLIDES BACK 145mm AND FORWARDS 135mm ON STATIONARY BASE

SEAT MOUNTED IN NEUTRAL POSITION WILL HAVE THE FOLLOWING CLEARANCES



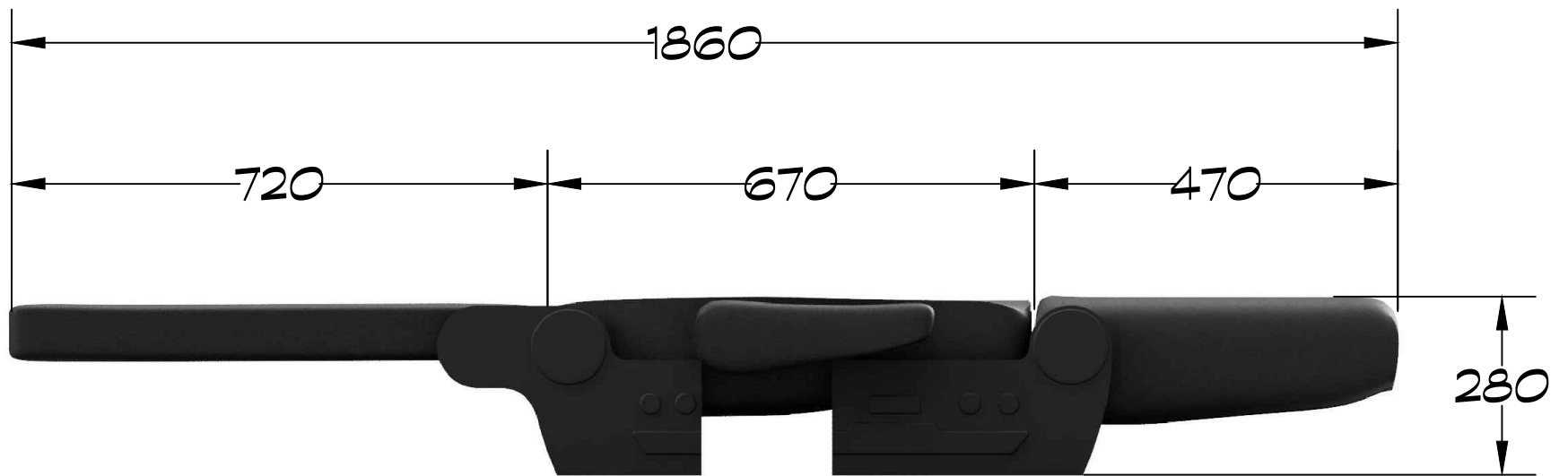
CABINET FACE

FACE OF FRONT SEAT
IN SWIVEL MODE

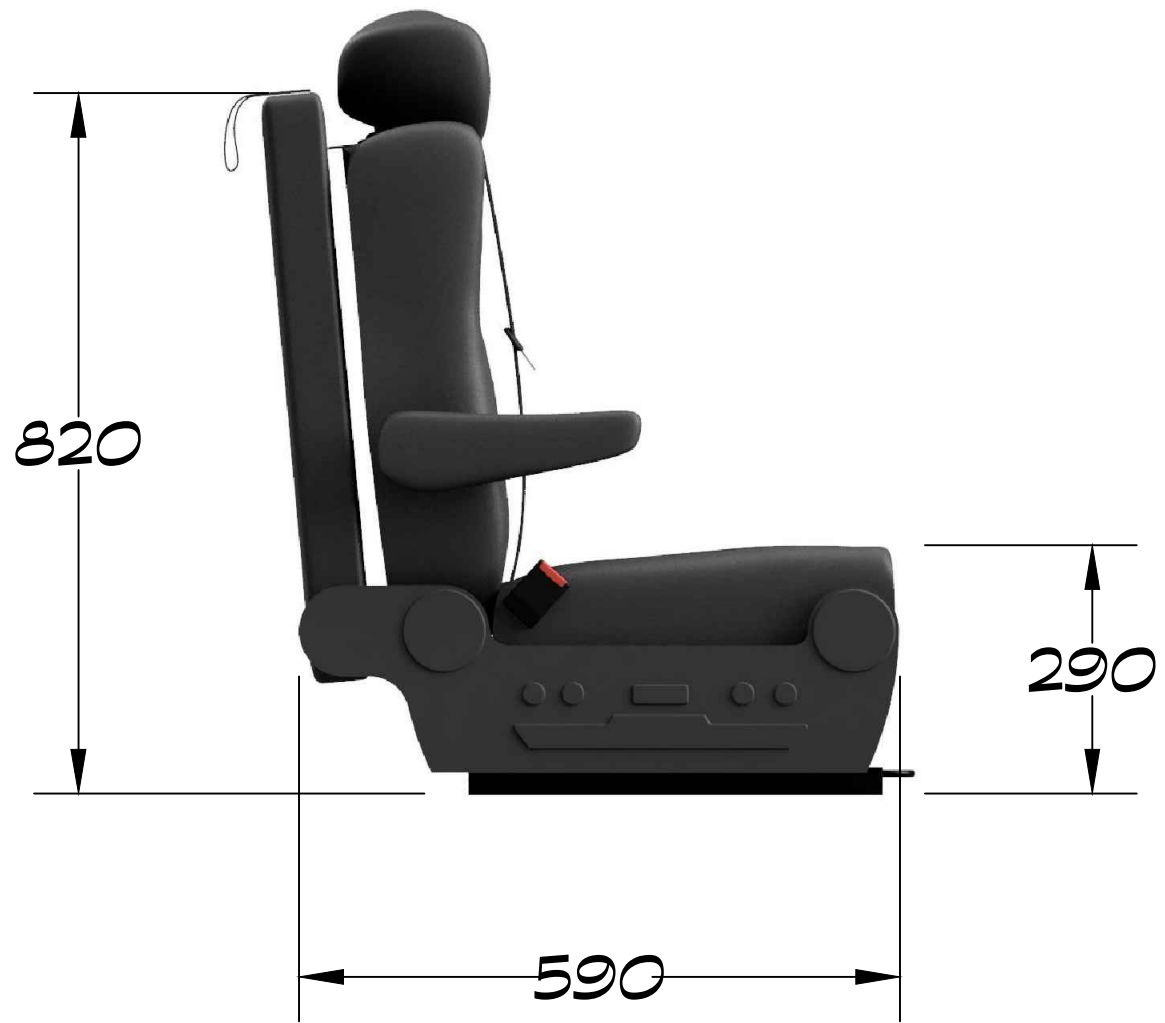
325

385

440



TRIFOLD SEAT - NIGHT MODE



TRIFOLD SEAT - SEAT MODE

TRIFOLD SEAT - SEAT BASE CLEARANCES (NEUTRAL POSITION)

NOTE: FROM NEUTRAL MOUNTED POSITION, SEAT SLIDES BACK 145mm AND FORWARDS 135mm ON STATIONARY BASE

SEAT MOUNTED IN NEUTRAL POSITION WILL HAVE THE FOLLOWING CLEARANCES



CABINET FACE

FACE OF CABINetry OR FRONT SEAT

