

BIFOLD SEAT - SEAT BASE CLEARANCES (NEUTRAL POSITION)

**NOTE: FROM NEUTRAL MOUNTED POSITION,
SEAT SLIDES BACK 145mm AND FORWARDS
135mm ON STATIONARY BASE**

**SEAT MOUNTED IN NEUTRAL POSITION WILL
HAVE THE FOLLOWING CLEARANCES**



TRIFOLD SEAT - SEAT BASE CLEARANCES (NEUTRAL POSITION)

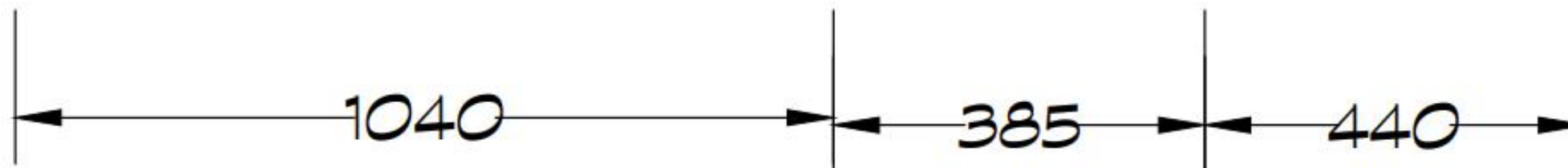
**NOTE: FROM NEUTRAL MOUNTED
POSITION, SEAT SLIDES BACK 145mm
AND FORWARDS 135mm ON
STATIONARY BASE**

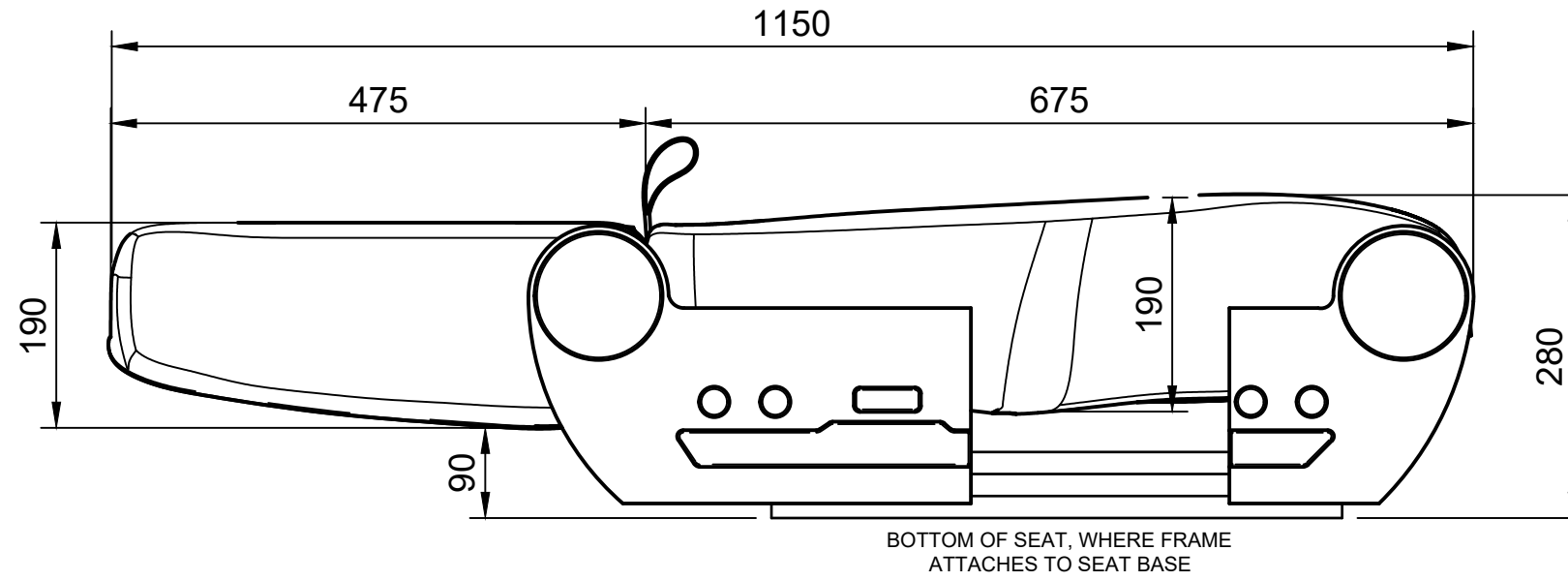
**SEAT MOUNTED IN NEUTRAL POSITION
WILL HAVE THE FOLLOWING
CLEARANCES**

CABINET FACE

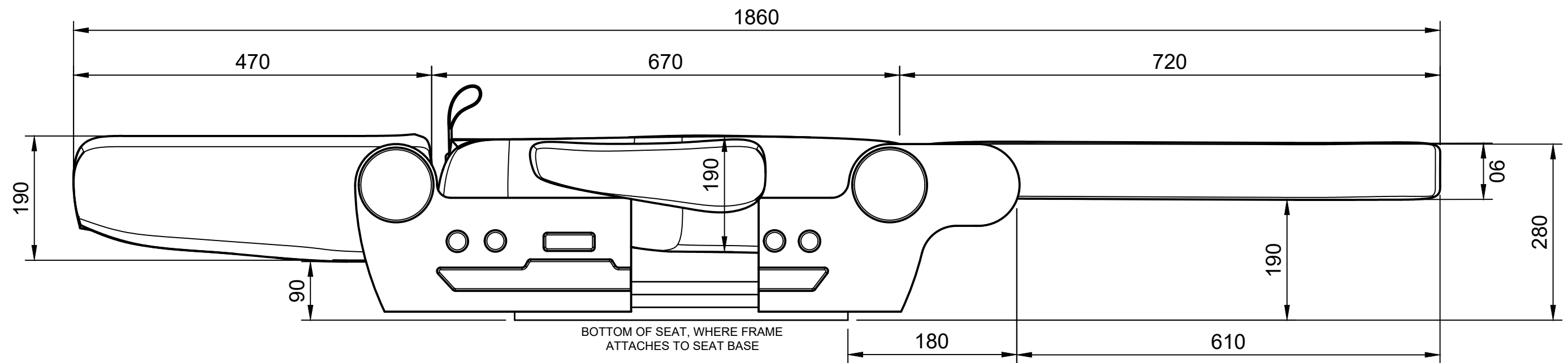


FACE OF
CABINTRY OR
FRONT SEAT

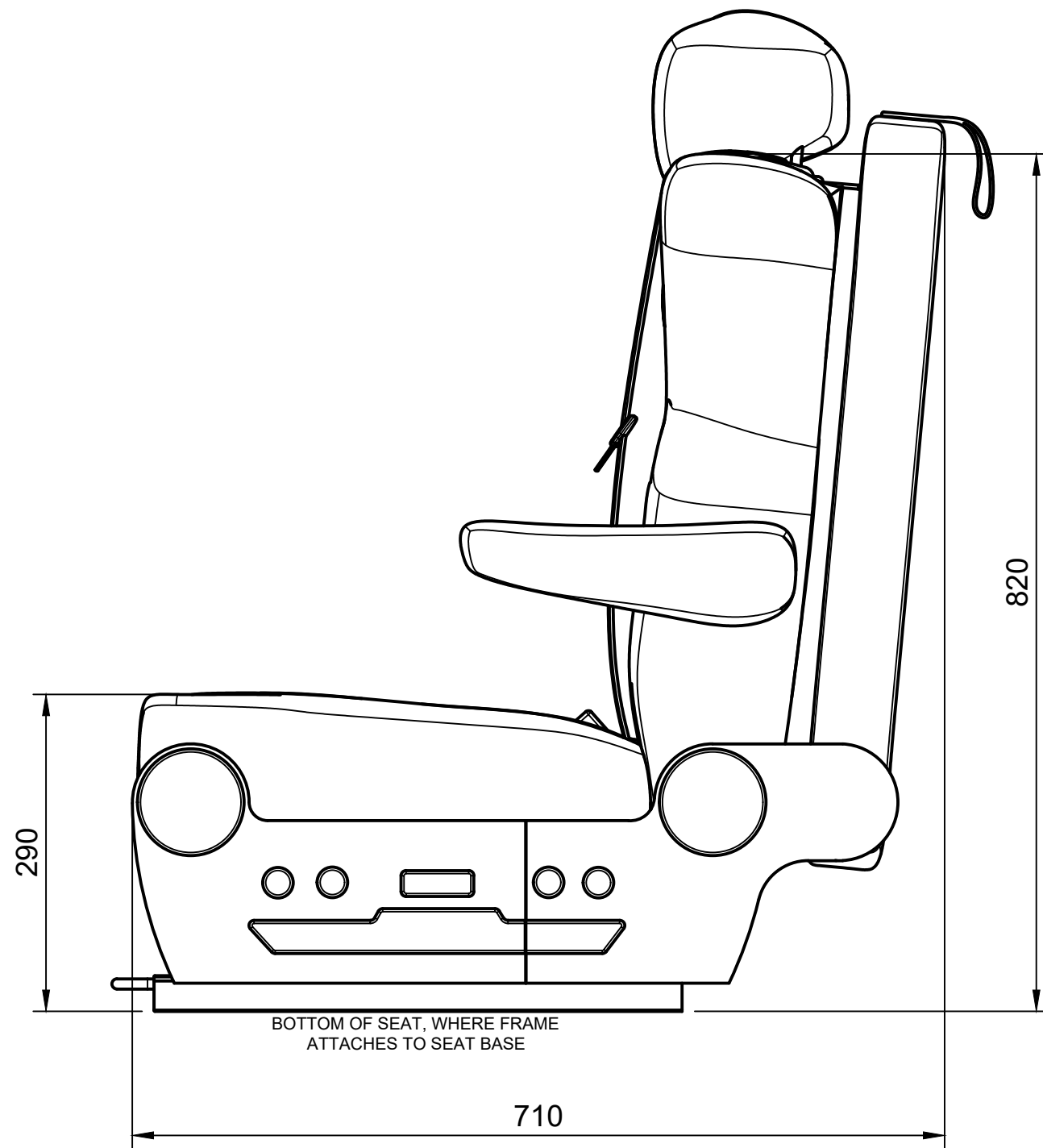




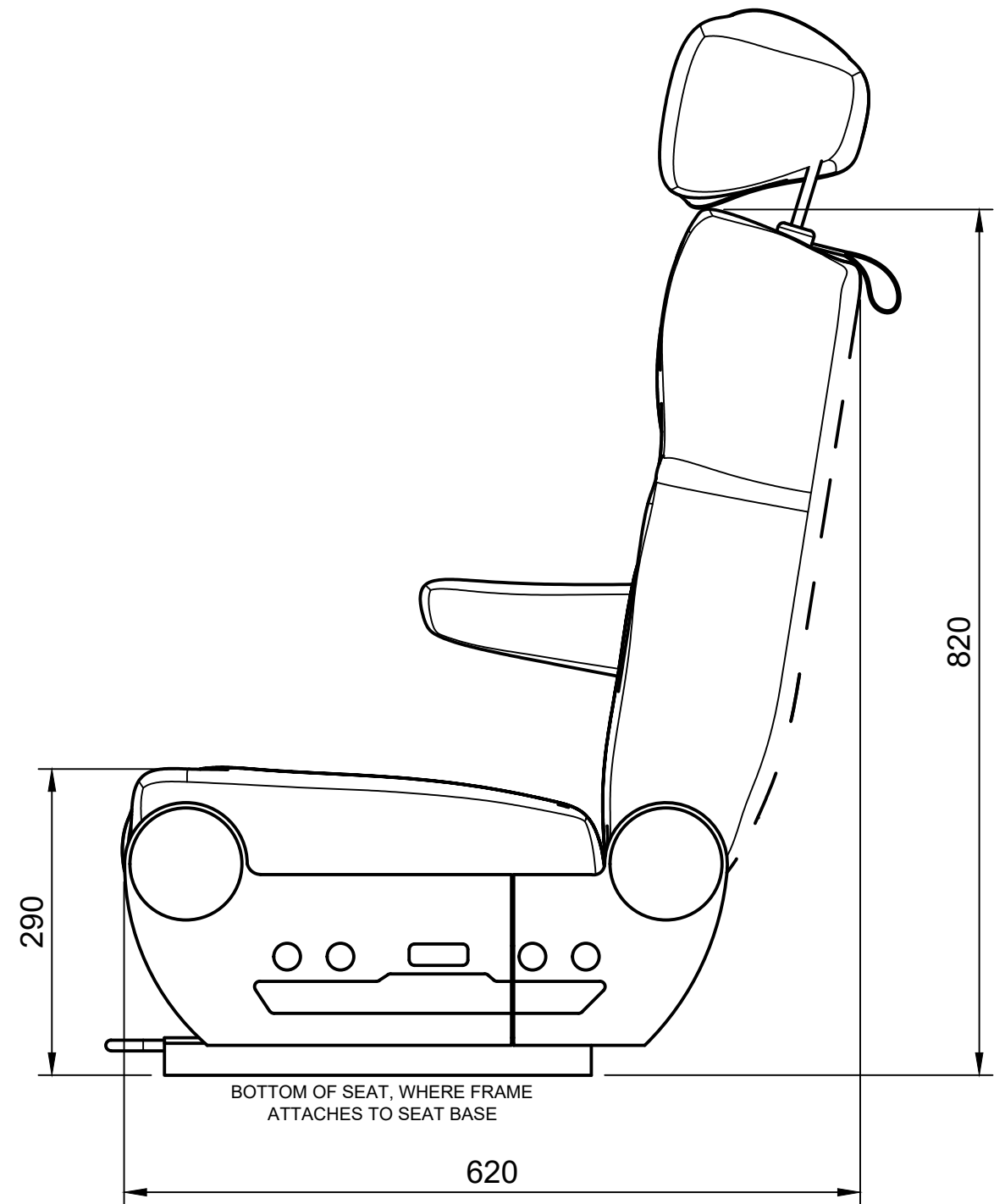
BIFOLD - NIGHT MODE - OVERALL DIMENSIONS



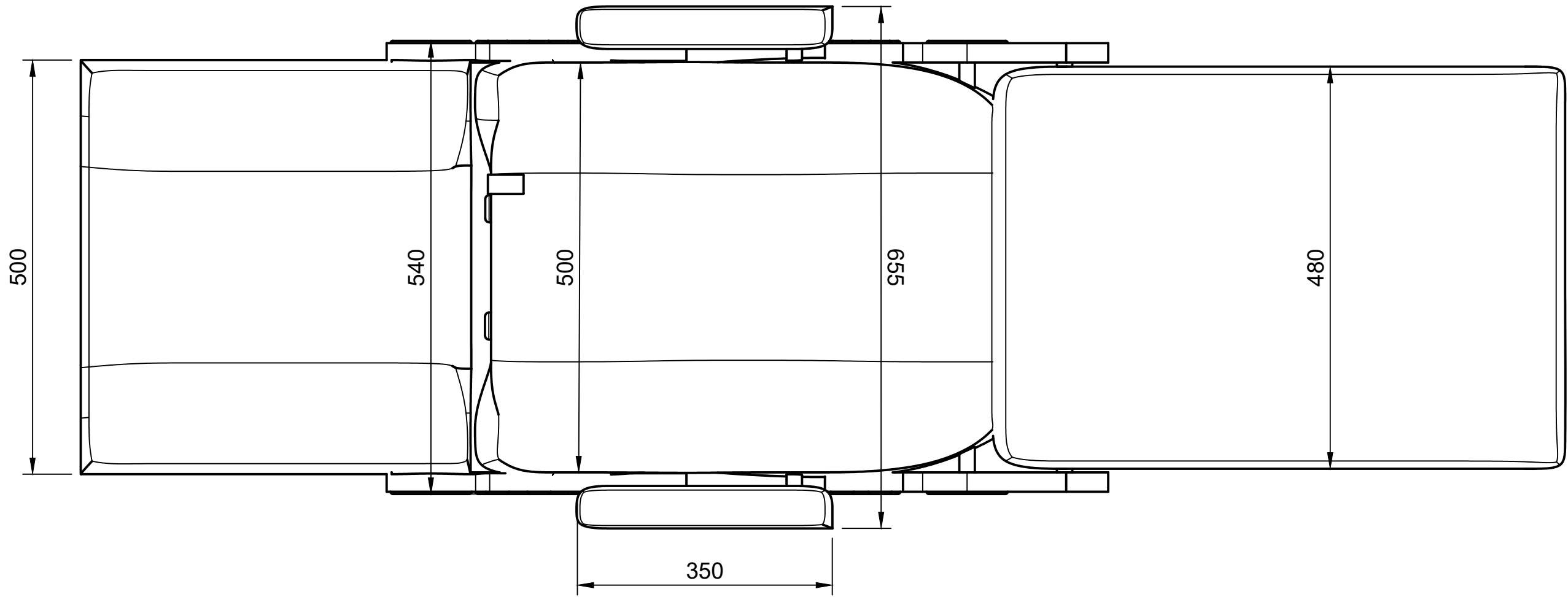
TRIFOLD - NIGHT MODE - OVERALL DIMENSIONS



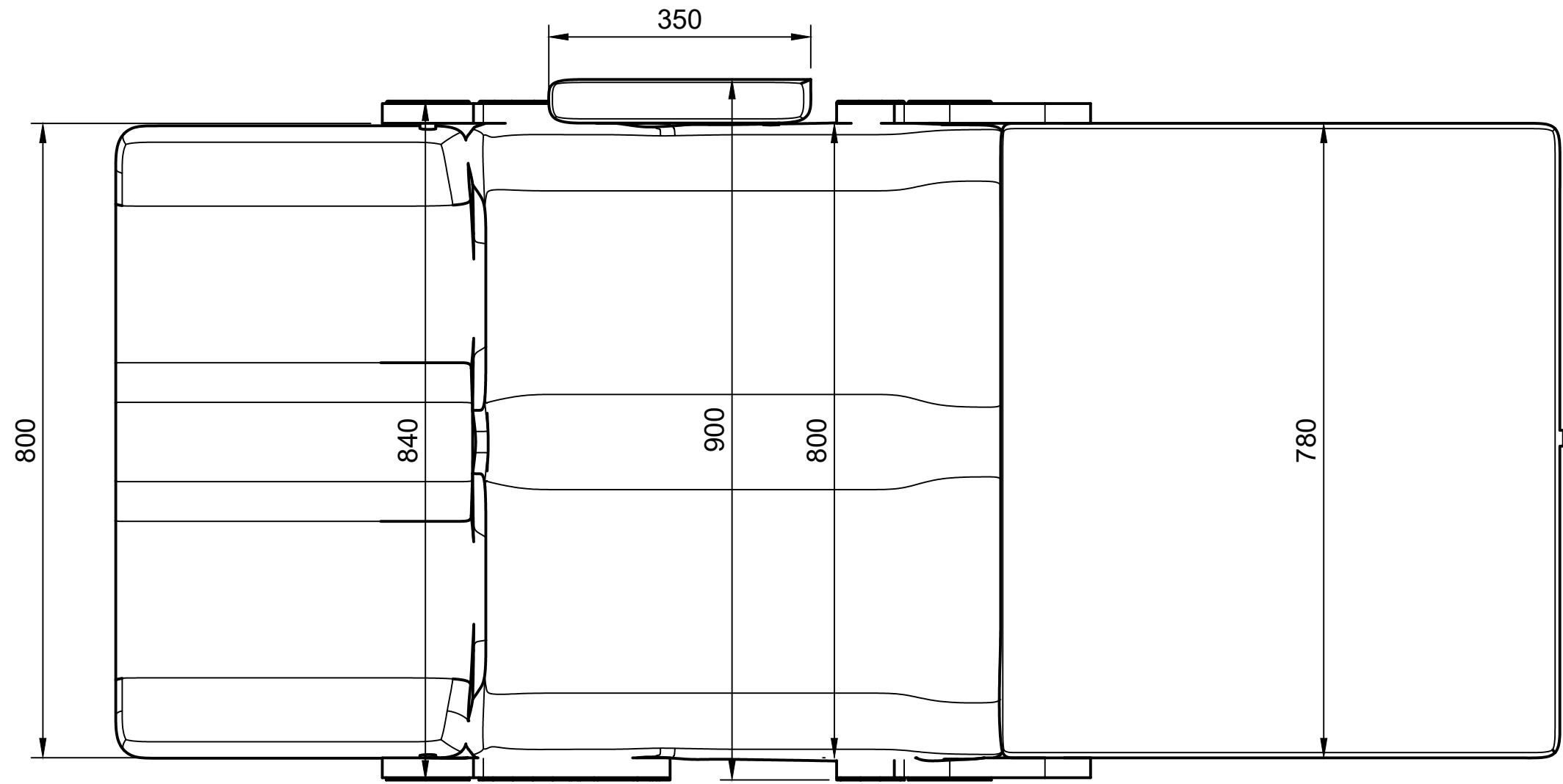
**TRIFOLD - DAY MODE -
OVERALL DIMENSIONS**



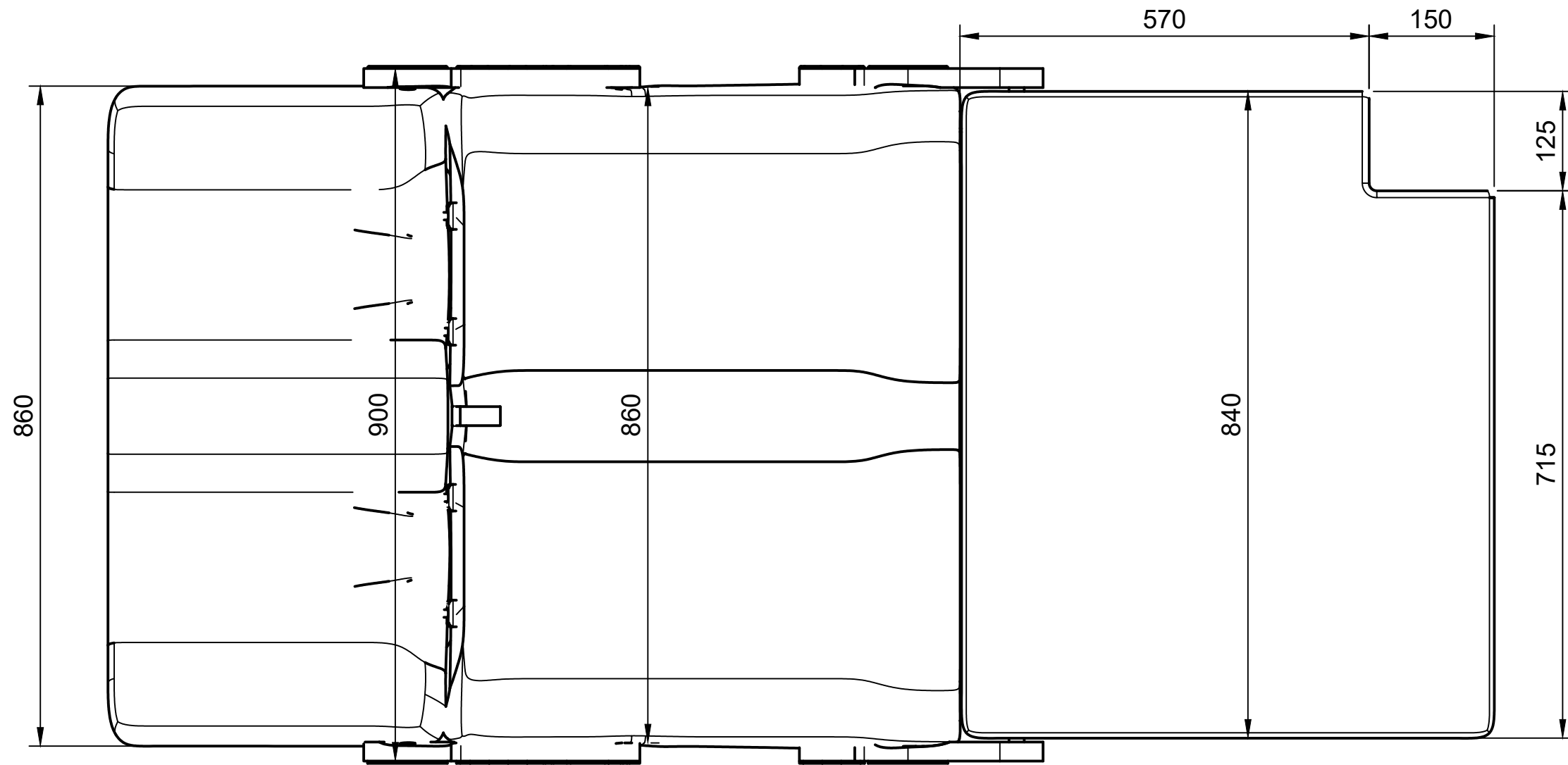
**BIFOLD - DAY MODE -
OVERALL DIMENSIONS**



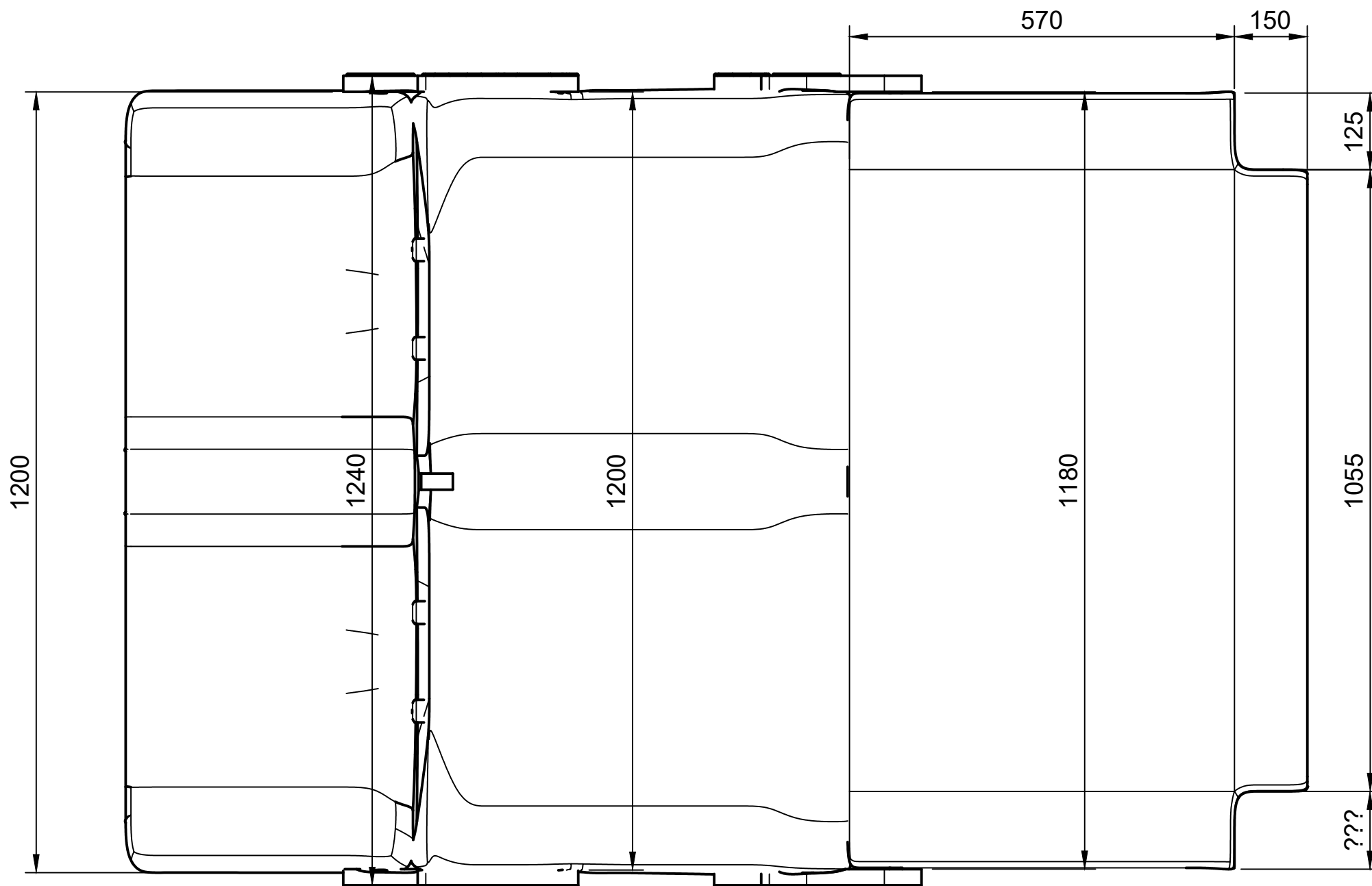
500 TRIFOLD - NIGHT MODE - OVERALL DIMENSIONS



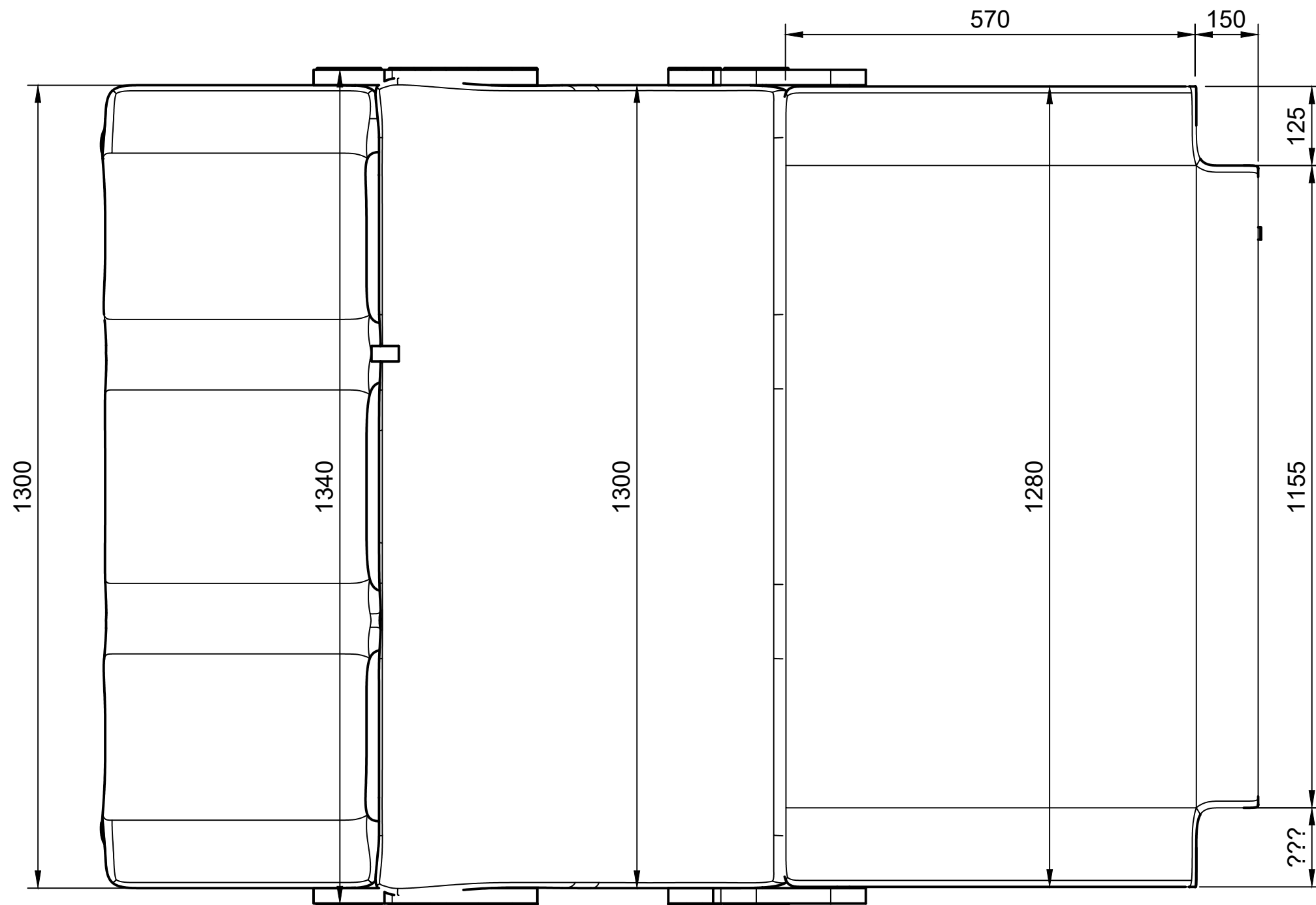
800 TRIFOLD - NIGHT MODE - OVERALL DIMENSIONS



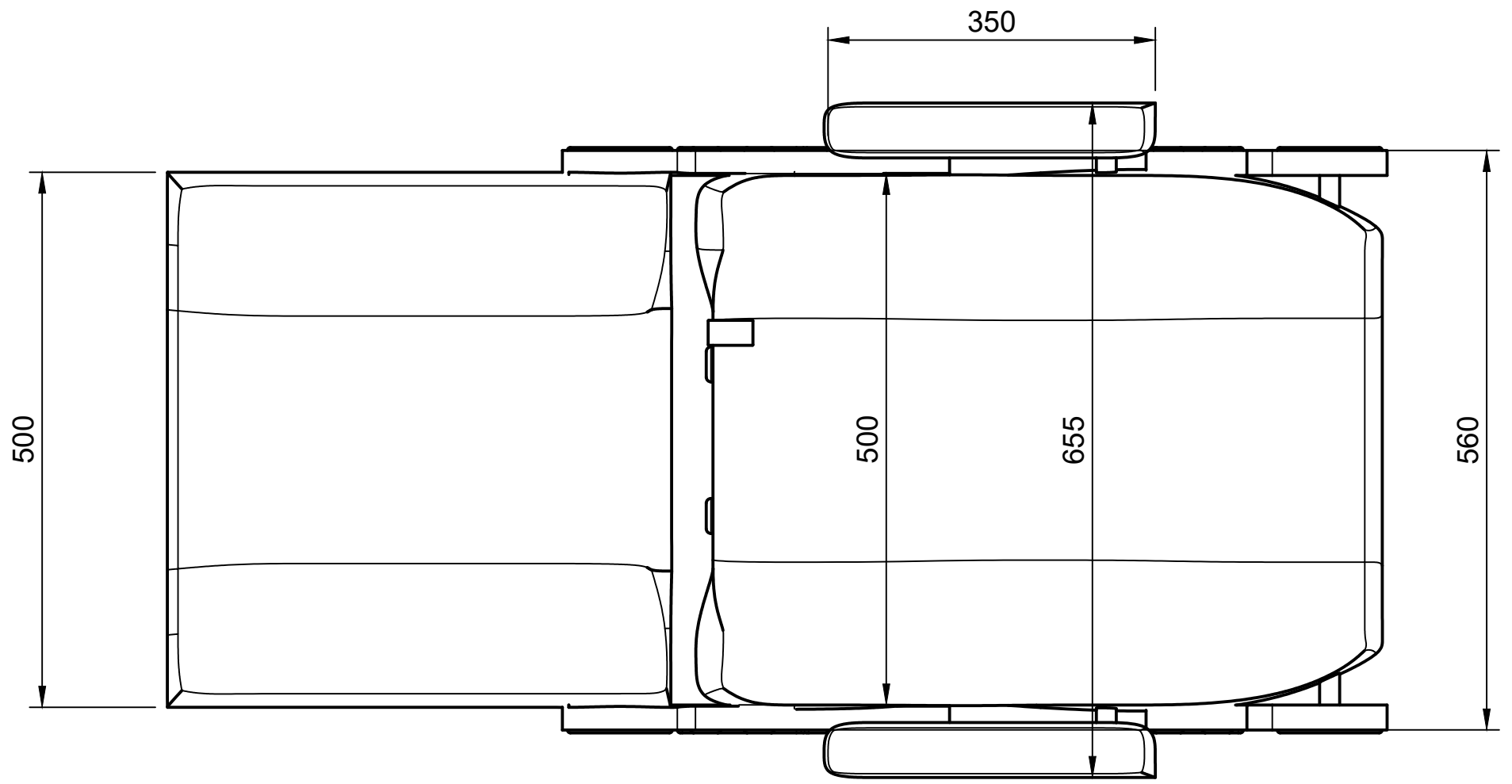
860 TRIFOLD - NIGHT MODE - OVERALL DIMENSIONS



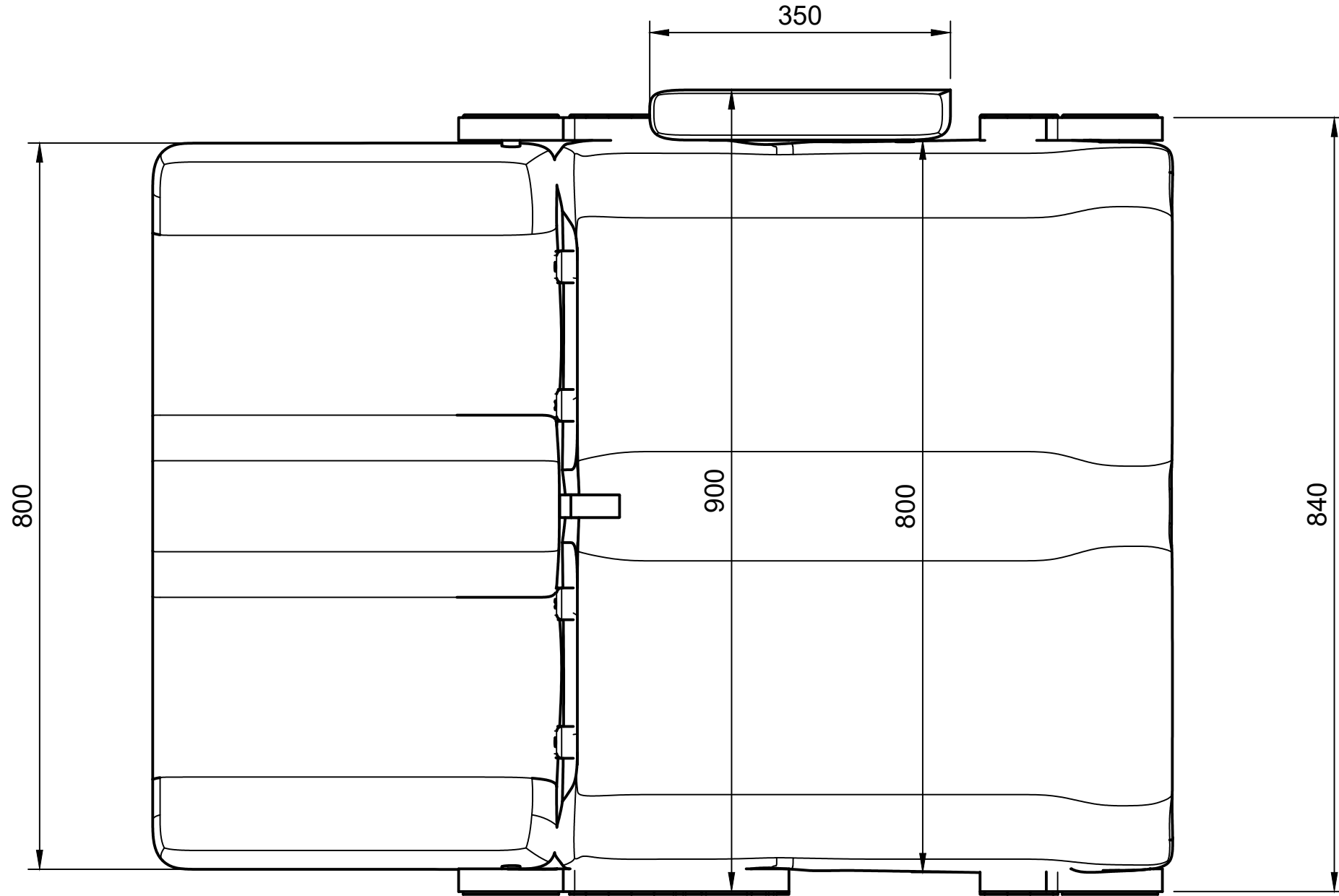
1200 TRIFOLD - NIGHT MODE - OVERALL DIMENSIONS



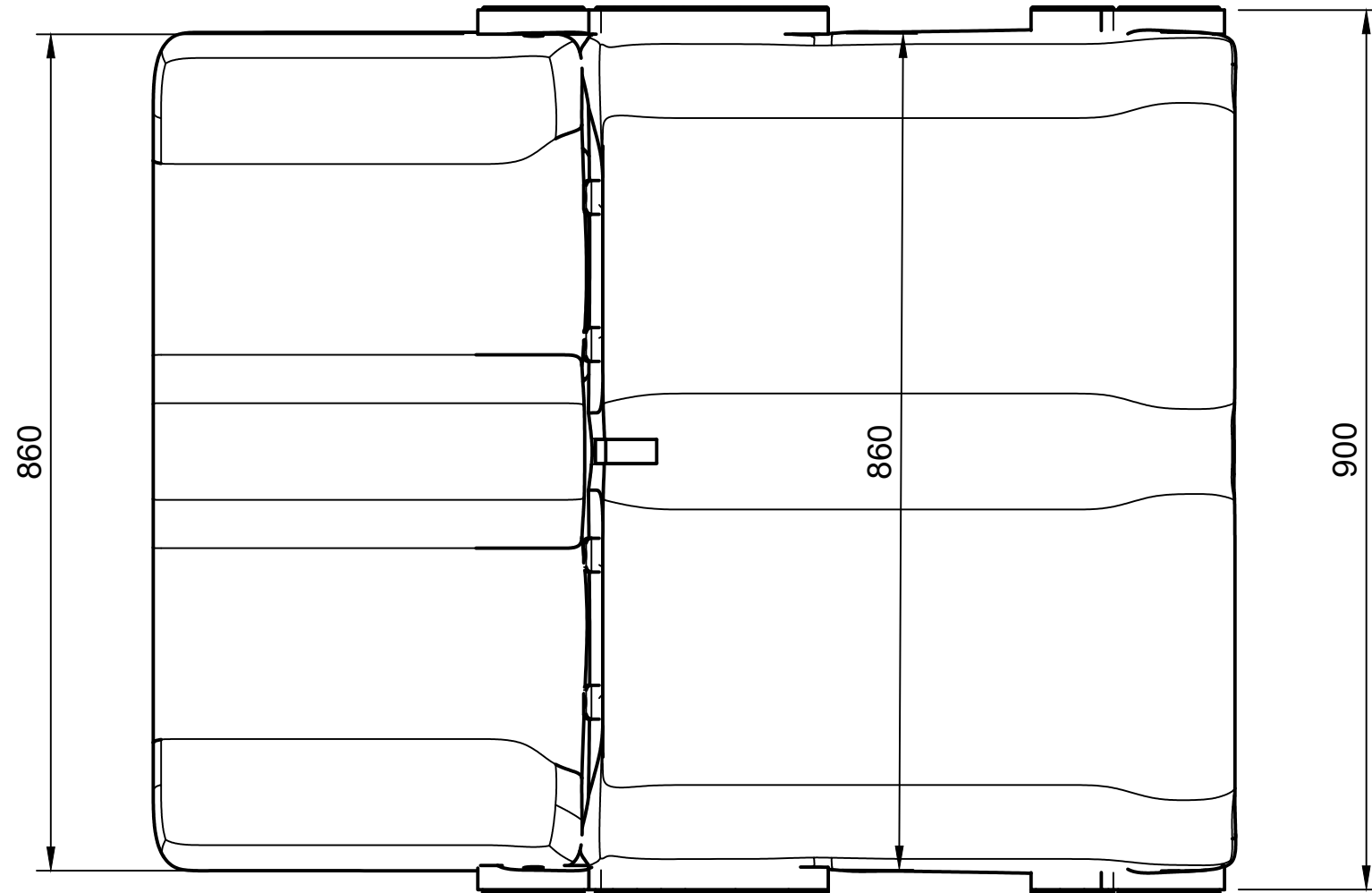
1300 TRIFOLD - NIGHT MODE - OVERALL DIMENSIONS



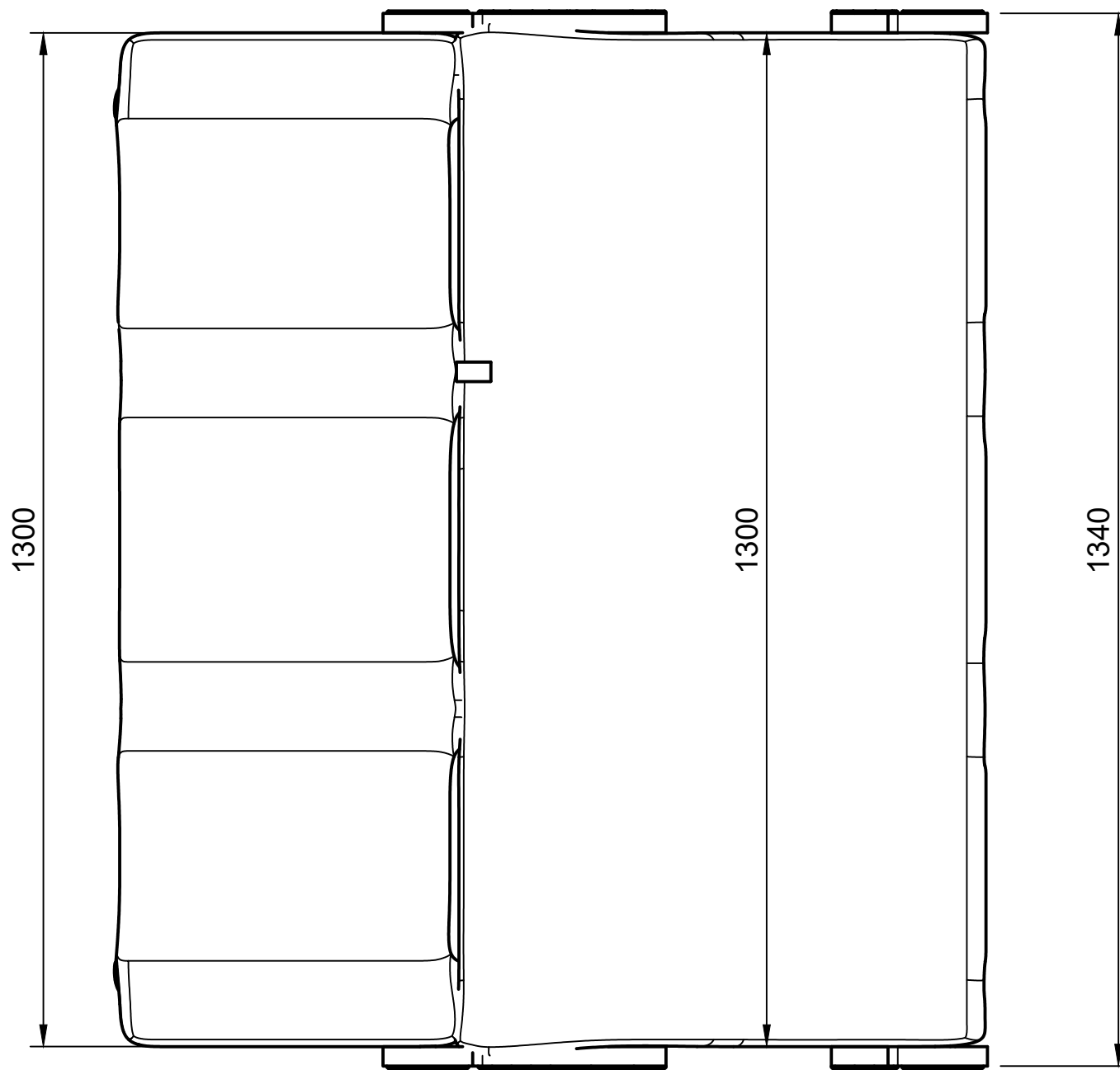
500 BIFOLD - NIGHT MODE - OVERALL DIMENSIONS



800 BIFOLD - NIGHT MODE - OVERALL DIMENSIONS



860 BIFOLD - NIGHT MODE - OVERALL DIMENSIONS



1300 BIFOLD - NIGHT MODE - OVERALL DIMENSIONS